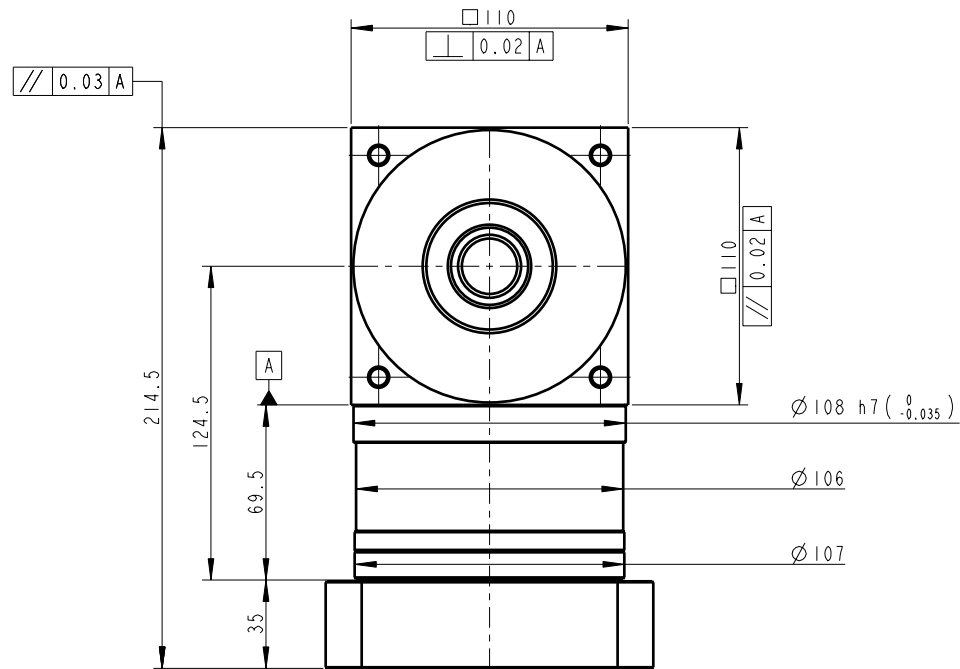
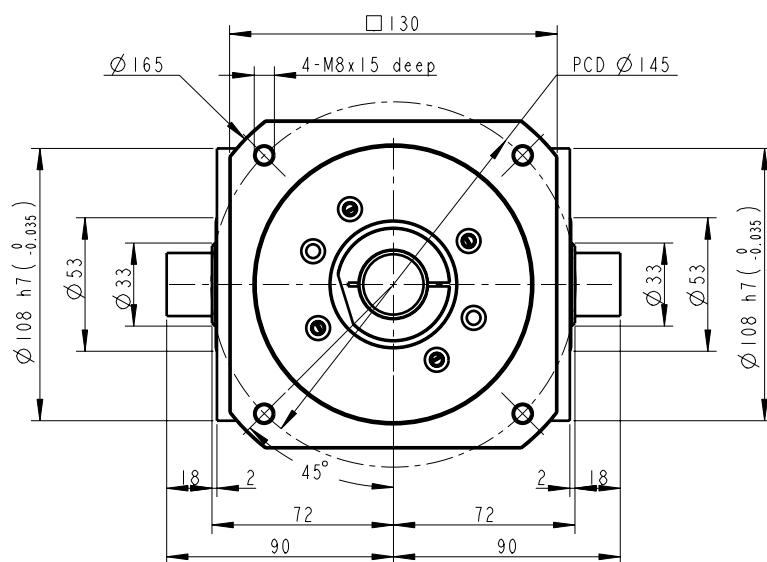
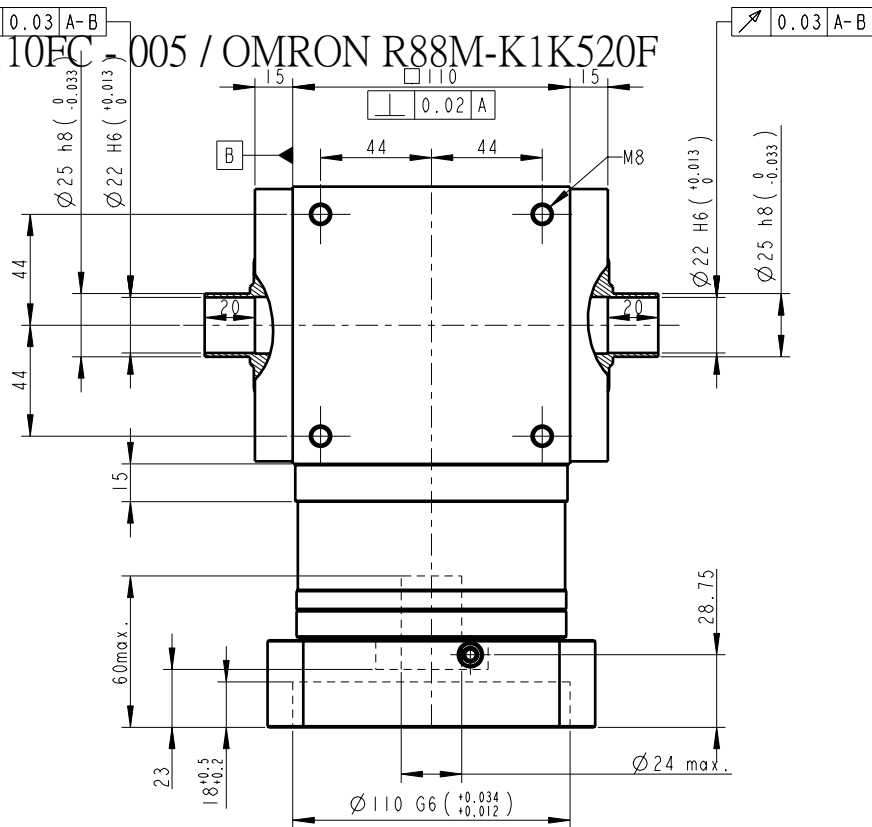
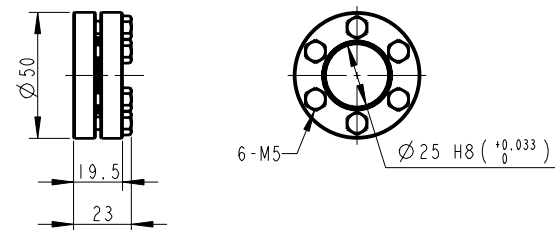


AT110FC 005 / OMRON R88M-K1K520F



Shrink Disc (Option)



INERTIA: 6.04-7.62 kg-cm²
 MASS: 11.8 kg
 BACKLASH: <=6 arcmin
 BUSHING SUPPLIED WHEN MOTOR SHAFT DIAMETER SMALL THAN Ø24

PART NO. AT110FC1-P0403302001 AT110FC-1, AD-P90-M130-1			
APPROVALS	DATE		
DRAWN Cindy	23-Jan-09	DWG NO. AT110FC1-P0403302001	
CHECKED		SIZE A1	SCALE 1:1
APPROVED		REV	