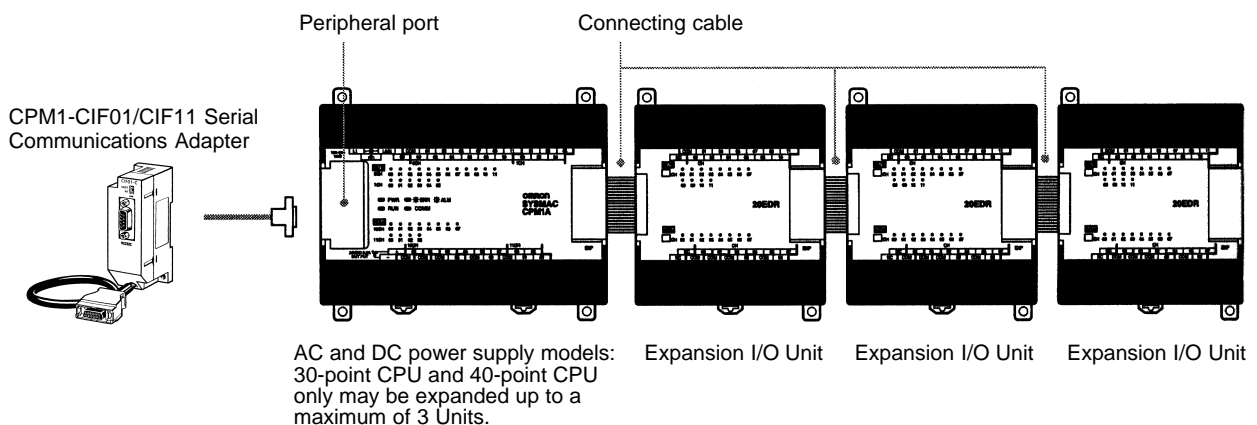


The CPM1A series micro controllers solve both basic and semi-complex applications. The brick style models include AC inputs/relay outputs, DC inputs/transistor or relay outputs to meet your design requirements. The base I/O for the CPUs ranges from 10, 20, 30, and 40 I/O points with maximum expansion to 100 I/O. Specialized expansion modules include mixed analog I/O, temperature sensor inputs and serial communications



- 10, 20, 30 and 40 point I/O CPUs
- Expandable up to 100 I/O points
- Peripheral communications port built in
- AC or DC input models
- Analog expansion modules available
- Temperature sensor input expansion modules available
- Auxiliary 24 VDC supply (AC type only)
- Relay or Transistor outputs
- UL, CSA, CE approvals

Basic Configuration

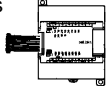
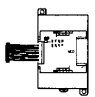
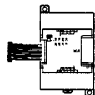


Ordering Information

■ CPU UNITS

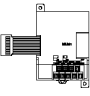
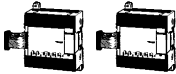

Number of I/O terminals	Inputs	Outputs	Power supply	Part number		
				Relay output	Transistor output	
					Sink type	Source type
10	6 DC points	4 points	AC	CPM1A-10CDR-A	CPM1A-10CDT-A	CPM1A-10CDT1-A
			DC	CPM1A-10CDR-D	CPM1A-10CDT-D	CPM1A-10CDT1-D
20	12 DC points	8 points	AC	CPM1A-20CDR-A	CPM1A-20CDT-A	CPM1A-20CDT1-A
			DC	CPM1A-20CDR-D	CPM1A-20CDT-D	CPM1A-20CDT1-D
30	18 DC points	12 points	AC	CPM1A-30CDR-A	CPM1A-30CDT-A	CPM1A-30CDT1-A
			DC	CPM1A-30CDR-D	CPM1A-30CDT-D	CPM1A-30CDT1-D
40	24 DC points	16 points	AC	CPM1A-40CDR-A	CPM1A-40CDT-A	CPM1A-40CDT1-A
			DC	CPM1A-40CDR-D	CPM1A-40CDT-D	CPM1A-40CDT1-D
20	12 AC points	8 points	AC	CPM1A-20CAR-A	—	—
32	20 AC points	12 points	AC	CPM1A-32CAR-A	—	—

■ EXPANSION I/O MODULES

Description	Max. number of modules	Inputs	Outputs	Part number
20 I/O points 12 inputs, 8 outputs 	3 max. (See Note.)	24 VDC	Relays	CPM1A-20EDR
		24 VDC	Sinking transistors	CPM1A-20EDT
		24 VDC	Sourcing transistors	CPM1A-20EDT1
8 inputs 	3 max. (See Note.)	24 VDC	—	CPM1A-8ED
8 outputs 		—	Relays	CPM1A-8ER
		—	Sinking transistors	CPM1A-8ET
	—	Sourcing transistors	CPM1A-8ET1	

Note: A maximum of 3 expansion modules can be used with the following CPUs: 30-point and 40-point with DC inputs; 20-point and 32-point with AC inputs.

■ DEDICATED I/O MODULES

Description	Max. number of modules	Inputs	Outputs	Part number	
Analog I/O Module 2 analog inputs (2 words) 1 analog output (1 word) 	3 max.	2 analog inputs	1 analog output	CPM1A-MAD01	
Temperature Sensor Input Modules 	3 max.	2 inputs (Types J and K)	—	CPM1A-TS001	
		1 max. (See Note.)		4 inputs (Types J and K)	CPM1A-TS002
	3 max.	2 inputs (Pt100, JPt100)	1 analog output	CPM1A-TS101	
		3 max.		2 inputs (Pt100, JPt100)	CPM1A-TS101-DA
		1 max. (See Note.)		4 inputs (Pt100, JPt100)	CPM1A-TS102
CompoBus/S I/O Link Module 8 inputs and 8 outputs 	3 max.	8 bits (Inputs from the Master.)	8 bits (Outputs to the Master.)	CPM1A-SRT21	
		Flat cable, 4-core, 0.75 mm ² ; 100 m length		SCA1-4F10	
		Twisted pair cable, 2-core, 0.75 mm ² ; available commercially		Belden #9409 cable	

Note: Only one CPM1A-TS002/TS102 Temperature Sensor Input Module can be connected to the CPU. If a CPM1A-TS002/102 is connected to the CPU, only one additional Special I/O Module (other than a CPM1A-TS002/102) or one Expansion I/O Module can be connected to the CPU.


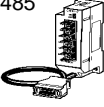
■ PERIPHERAL DEVICES

Product	Description	Part number
Programming console	Hand-held programming console with cable attached, 2 m length	CQM1-PRO01-E
	Hand-held programming console with back light (cable not included)	C200H-PRO27-E
Connecting cable	Connects C200H programming console to peripheral port, 2 m length	C200H-CN222
	Connects C200h programming console to peripheral port, 4 m length	C200H-CN422

■ SUPPORT SOFTWARE

Product	Functions	Part number
CX-Programmer Jr.	Windows-based programming software; reduced instruction set and networking commands. OS: Windows 95/98/NT	WS02-CXPC1-EJR-V2.0
CX-Programmer	Full programming software package programs micro, small and larger controllers.	WS02-CXPC1-EV2.0

■ COMMUNICATIONS ADAPTERS AND CABLES

Description	Function	Part number
RS-232C adapter 	Converts data communications from peripheral port for RS-232C devices.	CPM1-CIF01
RS-232C cable	RS-232C to RS-232C; PC connection for program download; cable length 2 m	C200HS-CN220-EU
	RS-232C to RS-232C for PLC communication; cable length 2 m	C200H-CN320-EU
RS-422/RS-485 adapter 	Converts data communications from peripheral port for RS-422/RS-485 devices.	CPM1-CIF11

■ PROGRAM TRANSFER EQUIPMENT

Product	Description	Part number
Expansion Memory Unit	Uploads and downloads program and setup memory areas to and from the controller.	CPM1-EMU01-V1
EEPROM (256 kbits)	Used with the Expansion Memory Unit	CPM1-EEPROM-EMU01

■ MANUALS

Product	Description	Part number
Operation manual	CPM1A DC Input CPUs operation manual	W317
	CPM1A AC Input CPUs operation manual	P12FAZ1
Programming manual	CPM1/CPM1A programming manual	W353

Specifications

■ GENERAL SPECIFICATIONS

Input type		DC input				AC input	
CPU type		10-point I/O	20-point I/O	30-point I/O	40-point I/O	20-point I/O	32-point I/O
Power supply voltage/frequency	AC power supply	100 to 240 VAC, 50/60 Hz					
	DC power supply	24 VDC				—	
Operating voltage range	AC power supply	85 to 264 VAC					
	DC power supply	20.4 to 26.4 VDC				—	
Power consumption	AC power supply	30 VA max.		60 VA max.		30 VA max.	60 VA max.
	DC power supply	6 W max.		20 W max.		—	
Inrush current		30 A max.		60 A max.		30 A max.	60 A max.
External power supply (AC only)	Power supply voltage	24 VDC					
	Power supply output capacity	200 mA		300 mA			
Insulation resistance		20 MΩ min. at 500 VDC between the AC terminals and the protective earth terminal.					
Dielectric strength		2,300 VAC at 50/60 Hz for one minute with a leakage current of 10 mA max. between all the external AC terminals and the protective earth terminal.					
Noise resistance		Conforms to IEC61000-4-4, 2 kV (power lines) 1500 Vp-p, pulse width 0.1 to 1 μs, rise time: 1 ns (via noise simulation)					
Vibration resistance		10 to 61.2 Hz with an amplitude of 0.075 mm, and 57 to 150 Hz with an acceleration of 1.5 G in the X, Y, and Z directions for 10 sweeps of minutes each.					
Shock resistance		147 m/s ² in the X, Y and Z directions 3 times each.				20 G the X, Y and Z directions 3 times each.	
Ambient temperature	Operating	0°C to 55°C (32°F to 131°F)					
	Storage	-20°C to 75°C (-4°F to 167°F)					
Ambient humidity	Operating	10% to 90% RH no condensation					
Ambient environment	Operating	With no corrosive gas					
Terminal screw size		M3					
Power supply holding time		10 ms min. for AC models, and 2 ms min. for DC models					
Weight	AC models	400 g max.	500 g max.	600 g max.	700 g max.	500 g max.	575 g max.
	DC models	300 g max.	400 g max.	500 g max.	600 g max.	—	—

Note: The specifications of the Expansion I/O Modules are the same as for the CPU except that the power is supplied from the CPU and the weight is 300 g.

■ CHARACTERISTICS

Input type		DC input				AC input	
CPU type		10-point I/O	20-point I/O	30-point I/O	40-point I/O	20-point I/O	32-point I/O
Control method		Stored program method					
I/O control method		Combination of the cyclic scan and immediate refresh processing methods.					
Programming language		Ladder diagram					
Instruction word		1 step per instruction, 1 to 5 words per instruction					
Types of instructions	Basic instructions	14 types					
	Special instructions	79 types, 139 instructions					
Instruction execution time	Basic instructions	0.72 to 16.2 μ s					
	Special instructions	MOV instruction = 16.3 μ s					
Program capacity		2,048 words					
User data memory		1,024 words					
Maximum I/O points	CPU only	10 points (6 input/ 4 output points)	20 points (12 input/ 8 output points)	30 points (18 input/ 12 output points)	40 points (24 input/ 16 output points)	20 points (12 input/ 8 output points)	32 points (20 input/ 12 output points)
	With Expansion I/O Module	—	—	Up to 90 points (54 input/ 36 output points)	Up to 100 points (60 input/ 40 output points)	Up to 80 points (48 input/ 32 output points)	Up to 92 points (56 input/ 36 output points)
Memory protection		Maintains the contents of the HR, AR, Counter and Data Memory Areas.					
Memory backup		Flash memory: User program, data memory (Read only) and PLC setup area are backed up without a battery. Super capacitor: Data memory (Read/Write), holding bits, auxiliary memory bits, counter values, error log area are backed up by a capacitor for 20-days at an ambient temperature of 25°C.					
Self-diagnostic function		CPU error (watchdog timer), memory errors, I/O bus errors					
Program check		No END instruction programming errors (constantly checked during operation)					
Pulse output		1 point: 2 kHz					
High-speed counter		1 point: Single phase at 5 kHz or two-phase at 2.5 kHz (linear counting method) Incremental mode: 0 to 65535 (16-bit) Decremental mode: -32767 to 32767 (16-bit)					
Quick-response inputs		Together with the external interrupt input (minimum pulse width of 0.2 ms)					
Input time constant		Can be set at 1 ms, 2 ms, 4 ms, 8 ms, 16 ms, 32 ms, 64 ms, or 128 ms.					
Interrupt processing: External interrupt		2 points (Re- sponse time of 0.3 ms max.)	4 points (Response time of 0.3 ms max.)			4 points (Response time of 5 ms max.)	
Analog settings		2 points: (0 to 200 BCD)					

■ I/O ALLOCATION

Input bits	00000 to 00915; words not used for input or output bits can be used for work bits.	
Output bits	01000 to 01915; words not used for input or output bits can be used for work bits.	
Work bits (IR Area)	512: IR 20000 to IR 23115 (IR 200 to IR 231)	
Special bits (SR Area)	384: SR 23200 to SR 25515 (SR 232 to SR 255)	
Temporary bits (TR Area)	8: TR 0 to TR 7	
Holding bits (HR Area)	320: HR 0000 to HR 1915 (HR 00 to HR 19)	
Auxiliary bits (AR Area)	256: AR 0000 to AR 1515 (AR 00 to AR 15)	
Link bits (LR Area)	256: LR 0000 to LR 1515 (LR 00 to LR 15)	
Timers/Counters	128: TIM/CNT 000 to 127 100-ms timer: TIM 000 to TIM 127 10-ms timer: TIM 000 to TIM 127 Decremental counter, reversible counter	
Data memory	Read/Write	1,024 words (DM 0000 to DM 1023)
	Read only	512 words (DM 6144 to DM 6655)

■ I/O SPECIFICATIONS

CPU Unit AC-Input

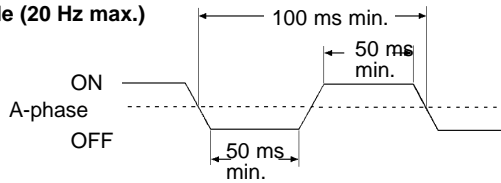
Item	Specification
Input voltage	120 VAC/DC nominal, range 85 to 132
Input impedance	17 kΩ AC @ 60Hz, 69kΩ DC
Input current	7.2 mA AC, 1.7 mA DC @ 120 V typical for: CPM1A-20CAR-A, Inputs 00 to 11 CPM1A-32CAR-A, Ch 0 Inputs 00 to 11 and CPM1A-32CAR-A, Ch 1 Inputs 00 to 03 1.9 mA AC or DC @ 120 V typical for: CPM1A-32CAR-A, Ch 1 Inputs 04 to 07 only
ON voltage	65 VAC/DC
OFF voltage	25 VAC/DC
ON delay	1 to 128 ms max. Default: 8 ms (See Note.)
OFF delay	1 to 128 ms max. Default: 8 ms (See Note.)
Circuit configuration	<p>CPM1A-20CAR-A Inputs 00-11</p> <p>CPM1A-32CAR-A Inputs Ch 0: 00-11 Inputs Ch 1: 00-03</p> <p>CPM1A-32CAR-A only Inputs Ch 1: 04-07</p>

Note: Using the PLC Setup, 1, 2, 4, 8, 16, 32, 64, or 128 ms can be selected. When IN00000 through IN00002 are used as high-speed counter inputs, the delays are as shown in the following table. Typically for AC inputs, the delay is set at the default, 8 ms.

Input	Increment mode	Differential phase mode
IN00000 (A-phase)	20 Hz	20 Hz
IN00001 (B-phase)	Normal input	
IN00002 (Z-phase)	ON: 5 ms min.; OFF delay: 5 ms min.	

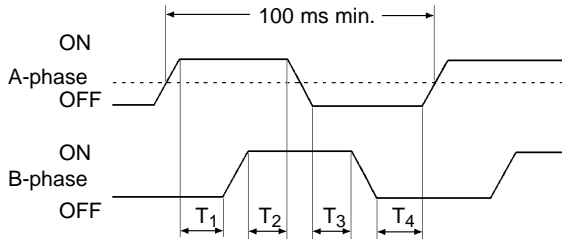
The minimum delay is as follows.

Increment Mode (20 Hz max.)



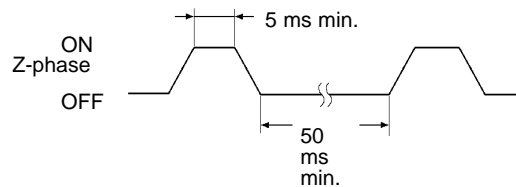
Differential Phase Mode (20 Hz max.)

IN00000 (A phase), IN00001 (B phase)



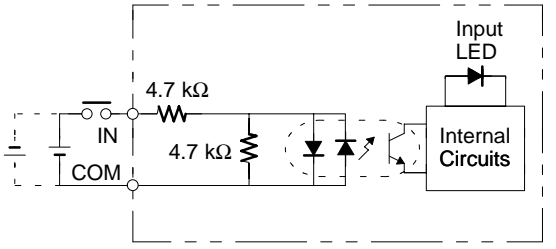
T₁ T₂ T₃ T₄ : 20 ms min.

IN00002 (Z phase)



When IN00003 through IN00006 are used as interrupt inputs, the delay is 0.3 ms max. The delay is measured from the time that the input goes ON until the interrupt subroutine is executed.

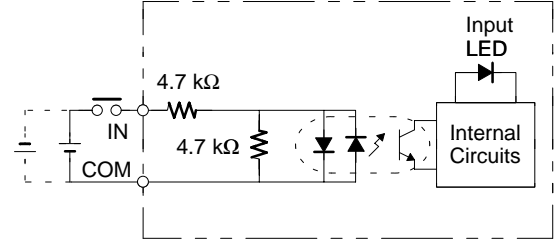
CPU Unit DC Input

Item	Specifications	Circuit
Input voltage	24 VDC +10%/-15%	 <p>Note: The polarity of the input power supply can be either positive or negative.</p>
Input impedance	IN0000 to IN0002: 2 kΩ Others: 4.7 kΩ	
Input current (typical)	IN0000 to IN0002: 12 mA Others: 5 mA	
ON voltage	14.4 VDC min.	
OFF voltage	5.0 VDC max.	
ON delay (See Note 1)	1 to 128 ms max. (default: 8 ms) (See Note 1)	
OFF delay (See Note 1)	1 to 128 ms max. (default: 8 ms) (See Note 1)	

- Note: 1. The actual ON/OFF delay includes an input constant of 1, 2, 4, 8, 16, 32, 64, or 128 ms (default: 8 ms).
 2. When IN0000 to IN0006 are used for the high-speed counter inputs, the delays are as shown below:

Input	Increment mode	Differential phase mode
IN0000 (A-phase)	5 kHz	2.5 kHz
IN0001 (B-phase)	Normal input	
IN0002 (Z-phase)	ON: 100 μs max. OFF: 500 μs max.	
IN0003 to IN0006	0.3 ms max. (From the time of input ON until the interrupt subroutine is executed.)	

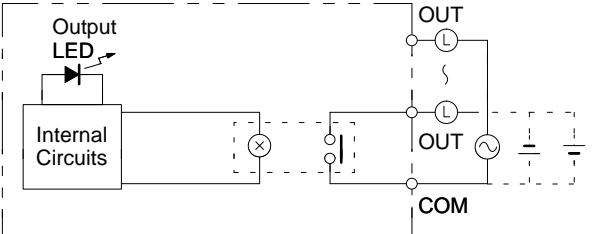
Expansion I/O Unit

Item	Specifications	Circuit
Input voltage	24 VDC, +10%/-15%	 <p>Note: The polarity of the input power supply can be either positive or negative.</p>
Input impedance	4.7 kΩ	
Input current (typical)	5 mA	
ON voltage	14.4 VDC min.	
OFF voltage	5.0 VDC max.	
ON delay	1 to 128 ms max. (default: 8 ms) (See Note)	
OFF delay	1 to 128 ms max. (default: 8 ms) (See Note)	

Note: The actual ON/OFF delay includes an input constant of 1, 2, 4, 8, 16, 32, 64, or 128 ms (default: 8 ms).

OUTPUT SPECIFICATIONS (CPU UNIT AND EXPANSION I/O MODULES)

Relay Output

Item	Specifications	Circuit		
Maximum switching capacity	2 A, 250 VAC (cos φ =1) 2 A, 24 VDC (4 A/common)	 <p>Maximum 250 VAC: 2 A 24 VDC: 2 A</p>		
Minimum switching capacity	10 mA, 5 VDC			
Relay service life	Electrical		Resistance load	300,000 times
			Inductive load	100,000 times
	Mechanical			10 million times
ON delay	15 ms max.			
OFF delay	15 ms max.			

Transistor Output (Sink Type/Source Type)

Item	Specifications	Circuit
Maximum switching capacity	300 mA, 24 VDC $+10\%/ -15\%$ (See Note 1)	<p>Sink Type</p> <p>Source Type</p>
Leakage current	0.1 mA max.	
Residual voltage	1.5 V max.	
ON delay	0.1 ms max.	
OFF delay	1 ms max. (See Note 2)	

Note: 1. The maximum switching capacity of the CPM1A with transistor outputs (sink type and source type) are limited to the currents shown in the following table for the common and for the Unit.

Part number	Max. switching capacity
CPM1A-10CDT, CPM1A-10CDT1-A, CPM1A-10CDT1-D	0.9 A/Unit
CPM1A-20CDT-D, CPM1A-20CDT1-A, CPM1A-20CDT1-D	0.9 A/common; 1.8 A/Unit
CPM1A-30CDT-D, CPM1A-30CDT1-A, CPM1A-30CDT1-D	0.9 A/common; 2.7 A/Unit
CPM1A-40CDT-D, CPM1A-40CDT1-A, CPM1A-40CDT1-D	0.9 A/common; 3.6 A/Unit
CPM1A-20EDT, CPM1A-20EDT1	0.9 A/common; 1.8 A/Unit
CPM1A-8ET, CPM1A-8ET1	0.9 A/common; 1.8 A/Unit

2. When using the pulse output function of the CPM1A with transistor outputs (sink type and source type):
The output current must be within a range from 100 to 200 mA when using the output 01000 or 01001 as a pulse output with the maximum frequency of 2 kHz. The outputs 01000 and 01001 will vary depending on the output current.

Load current	OFF delay
100 to 200 mA	0.2 ms max.
0 to 300 mA except for the above range	0.5 ms max.

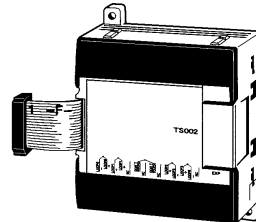
■ ANALOG I/O MODULE

Item		Specification	
Model		CPM1A-MAD01	
I/O type		Voltage	Current
Analog inputs	Number of inputs	2	
	Input signal range	0 to 10 V or 1 to 5 V	4 to 20 mA
	Maximum rated input	±15 V	±30 mA
	External input impedance	1 MΩ min.	250 Ω rated
	Resolution	1/256	
	Overall precision	1.0% of full scale	
	Converted A/D data	8-bit binary	
Analog output (See Note 1.)	Number of outputs	1	
	Output signal range	0 to 10 V or -10 to 10 V	4 to 20 mA
	External output max. current	5 mA	—
	External output allowed load resistance	—	350 Ω
	Resolution	1/256 (1/512 when the output signal range is -10 to 10 V.)	
	Overall precision	1.0% of full scale	
	Data setting	8-bit binary with sign bit	
Conversion time (See Note 2.)		10 ms/Unit max.	
Isolation method		Photocoupler isolation between I/O terminals and PC (There is no isolation between the analog I/O signals.)	

- Note: 1. The voltage output and current output can be used at the same time, but the total output current cannot exceed 21 mA.
 2. The conversion time is the total time for 2 analog inputs and 1 analog output.

■ TEMPERATURE SENSOR MODULES

By connecting a Temperature Sensor Module (CPM1A-TS001/TS002/TS101/TS101A/TS102) to the CPM1A, inputs can be received from thermocouples or temperature-resistance thermometers. Inputs converted to binary data (4-digit hexadecimal) and stored in the IR area.



Specifications

Item	Specification		
Model	CPM1A-TS001/TS002	CPM1A-TS101/TS102	CPM1A-TS101-DA
Number of inputs	TS001: 2; TS002: 4	TS101: 2; TS102: 4	2
Input types (See Note 1)	Thermocouple types K or J, selectable	Platinum resistance thermometer types Pt100 and JPt1100, selectable	
Input resolution	0.1°C in 2's complement format	0.1°C in 2's complement format	
Input accuracy	±0.5% or ±2% of the stored value whichever is larger ±1 digit max. (See Note 2)	±0.5% or ±1% of the stored value whichever is larger ±1 digit max. (See Note 2)	1.0% max. full scale
Number of outputs	None	None	1
Output types	—	—	Voltage or current output
Output resolution	—	—	1/256 (0 to 10 V) 1/512 (-10 to +10 V) 1/256 (4 to 20 mA)
Output accuracy	—	—	1.0% max. full scale
Conversion cycle	250 ms for all points		60 ms max. for all points
Converted temperature data	Binary data (4-digit hexadecimal)		Binary data (8-digit hexadecimal)
Isolation method	Photocoupler isolation between I/O terminals and the PLC		

- Note: 1. The same input type must be used for all inputs.
 2. Accuracy for K thermocouples at temperatures less than -100°C: ±4°C ± 1 digit max.

Input Temperature Ranges for CPM1A-TS001/TS002

The rotary switch can be used to make of the following range and input type settings for CPM1A-TS001/002 models.

Thermocouple input	Range (°C)	Range (°F)
Type K	-200 to 1300	-300 to 2300
	0.0 to 500.0	0.0 to 900.0
Type J	-100 to 850	-100 to 1500
	0.0 to 400.0	0.0 to 750.0

Input Temperature Ranges for CPM1A-TS101/TS101DA/TS102

The rotary switch can be used to make of the following range and input type settings for CPM1A-TS101/102 models.

Platinum RTD input	Range (°C)	Range (°F)
Pt100	-200.0 to 650.0	-300 to 1200.0
JPt100	-200.0 to 650.0	-300 to 1200.0

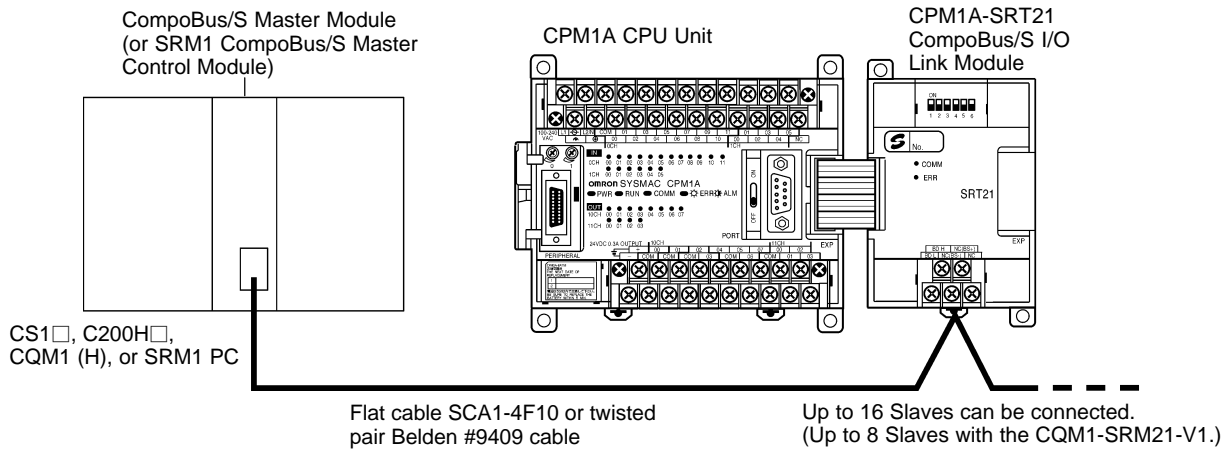
■ COMMUNICATIONS ADAPTER

RS-232C Adapter and RS-422 Adapter

Model	CPM1-CIF01	CPM1-CIF11
Functions	Level conversion between the CMOS level (CPU side) and the RS-232C (peripheral device side)	Level conversion between the CMOS level (CPU side) and the RS-422 (peripheral device side)
Insulation	The RS-232C (peripheral device side) is insulated by a DC/DC converter and photocoupler.	The RS-422 (peripheral device side) is insulated by a DC/DC converter and photocoupler.
Power supply	Power is supplied by the CPU.	
Power consumption	0.3 A max.	
Transmission speed	38.4 kbits/s max.	
Vibration resistance	10 to 57 Hz with an amplitude of 0.075 mm, and 57 to 150 Hz with an acceleration of 1 G in the X, Y and Z directions for 80 minutes each (i.e. for 8 minutes each, 10 times).	
Shock resistance	1.5 G in the X, Y and Z directions 3 times each.	
Ambient temperature	Operating	0°C to 55°C (32°F to 131°F)
	Storage	-20°C to 75°C (-4°F to 167°F)
Ambient humidity	Operating	10% to 90% RH (with no condensation)
Ambient environment	Operating	With no corrosive gas
Weight	200 g max.	

COMPOBUS/S I/O LINK MODULE

The CPM1A controller can function as a Slave to a CompoBus/S Master Module (or SRM1 CompoBus/S Master Control Module) when a CPM1A-SRT21 CompoBus/S I/O Link Module is connected. The CompoBus/S I/O Link Module establishes an I/O link of 8 inputs and 8 outputs between the Master Module and the CPM1A. Up to 3 Expansion I/O Modules or Expansion Modules can be connected to a CPM1A CPU Unit.



Specifications

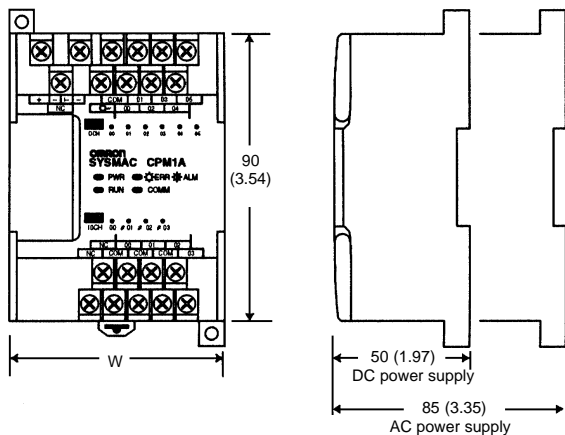
Model	CPM1A-SRT21
Master/Slave	CompoBus/S Slave
Number of I/O bits	8 input bits, 8 output bits
Number of words occupied in CPM2A I/O memory	1 input word, 1 output word (Allocated in the same way as other Expansion I/O Modules or Expansion Modules)
Node number setting	Set using the DIP switch.

Note: See the CompoBus/S section of Omron's *Remote I/O and Wiring Solutions Catalog (GC RIO1)* for more details on CompoBus/S communications.

Dimensions

Unit: mm (inch)

CPU, EXPANSION I/O AND SPECIAL I/O MODULES

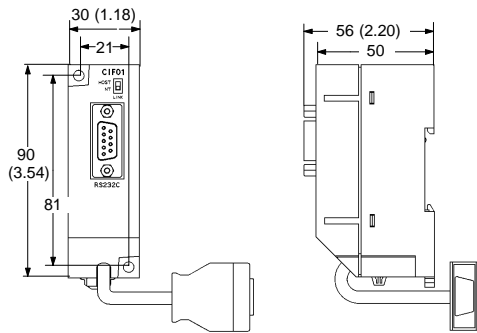


Model	W
CPM1A-10CD□-A/D	66 (2.60)
CPM1A-20CD□-A/D	86 (3.39)
CPM1A-30CD□-A/D	130 (5.12)
CPM1A-40CD□-A/D	150 (5.91)
CPM1A-20CAR-A	130 (51.2)
CPM1A-32CAR-A	150 (5.91)
CPM1A-20ED□	86 (3.39)
CPM1A-8E□	66 (2.60)
CPM1A-SRT21	66 (2.60)
CPM1A-MAD01	66 (2.60)
CPM1A-TS□□□	86 (3.39)

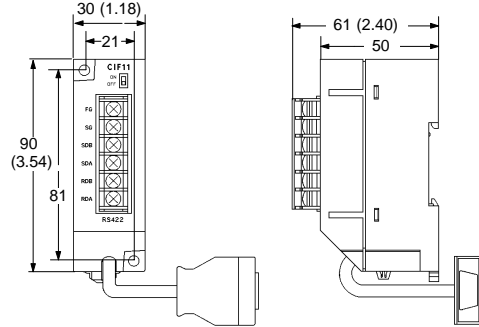
Unit: mm (inch)

COMMUNICATION ADAPTER MODULES

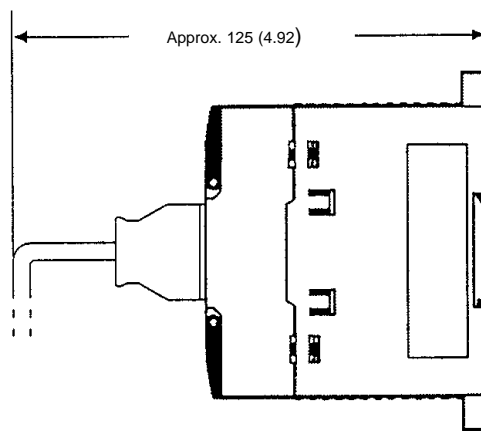
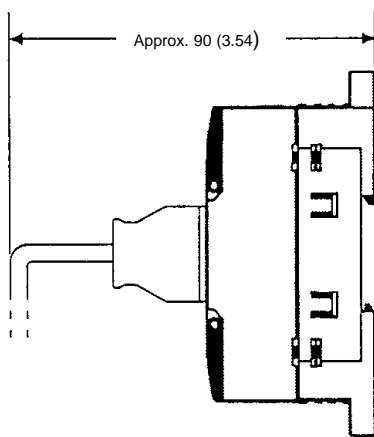
CPM1-CIF01



CPM1-CIF11



DIMENSIONS WITH PERIPHERAL DEVICES ATTACHED



Functions

■ CONFIGURATION

The CPM1A CPU units feature a compact, one-piece construction that includes 10, 20, 30 or 40 built-in I/O terminals. Three output models are available: Relay outputs, sinking (NPN) transistor output and sourcing (PNP) transistor output.

Expansion

Up to three Expansion I/O Modules can be connected to a 30-point or 40-point CPU Unit to add an extra 8 or 20 I/O points for each, for a maximum of up to 100 I/O points.

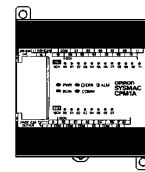
Dedicated I/O Modules

Up to 3 Analog I/O Modules or Temperature Sensor Input Modules can be used with 30-point and 40-point CPU Units. Each analog I/O module provides 2 analog inputs and 1 analog output, so a maximum of 6 analog inputs and 3 analog outputs can be achieved by connecting 3 Analog I/O Modules. Each Temperature Sensor Module provides two temperature sensor inputs from either thermocouples or platinum resistance thermometers. Up to 6 inputs can be connected.

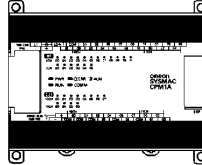
CPM1A-10CD□-□
(10 I/O terminals)



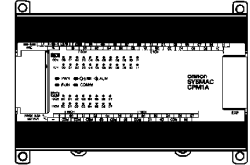
CPM1A-20CD□-□
(20 I/O terminals)



CPM1A-30CD□-□
(30 I/O terminals)



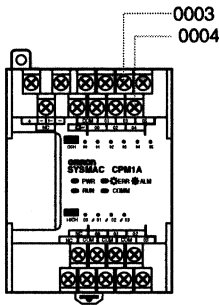
CPM1A-40CD□-□
(40 I/O terminals)



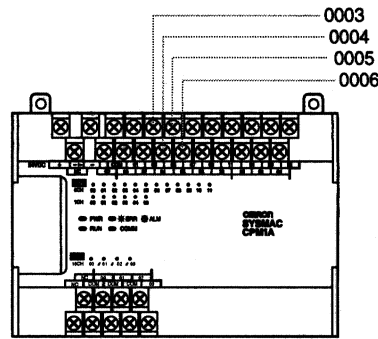
■ INTERRUPT INPUTS

There are two input interrupts in the CPM1A 10-point I/O CPU and four in the 20-, 30-, and 40-point I/O CPUs. Input interrupts are available in two modes. In addition to normal interrupt inputs, the CPM1A has a counter mode that counts high-speed input signals and triggers interrupts at fixed count multiples.

10 point I/O CPU



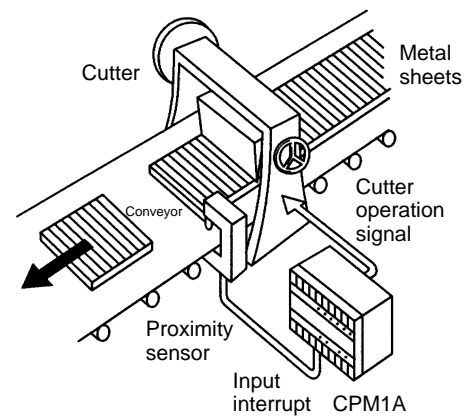
20, 30, and 40 point I/O CPU



Application Example:

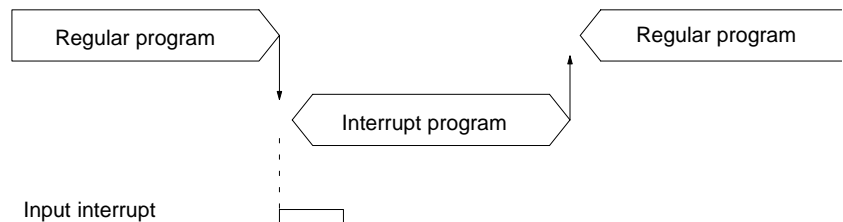
Cutting Metal Sheets to Specified Lengths

The proximity sensor detects the edge of a metal plate to operate the cutter. Metal sheets can be cut continuously to the specified lengths at a high speed.



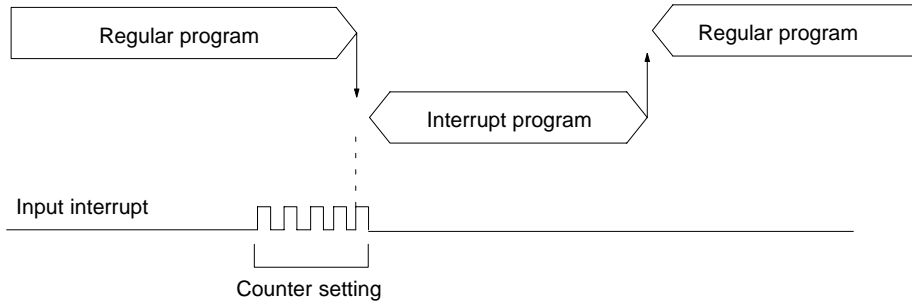
Input Interrupt Mode

If an input interrupt occurs, the regular program shuts down irrelevant of the cycle time, and the interrupt processing program is executed immediately.



Counter Mode

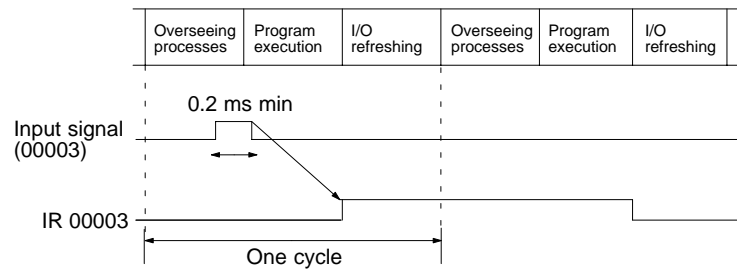
When the number of external signals counted at high speed reaches a specified number of counts, the regular program shuts down, and the interrupt processing program is executed at fixed counts. The count can be set between 0 and 65535.



■ QUICK-RESPONSE INPUTS

Quick-response inputs can detect input signals with a pulse width as short as 0.2 ms regardless of their timing during the scan cycle. Quick-response inputs and interrupt inputs use the same input terminals.

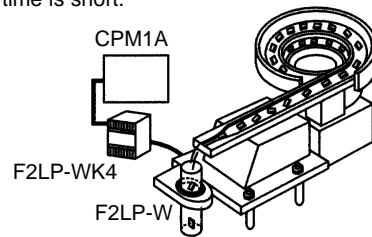
CPU	Input no.	Minimum input pulse width
10 point I/O CPU	00003 to 00004	0.2 ms
20 point, 30 point, 40 point I/O CPU	00003 to 00006	



Application Example:

Calculating the Number of Chips

The metal sensor counts the number of parts that have passed. Steady counting can be achieved even when the input-ON time is short.

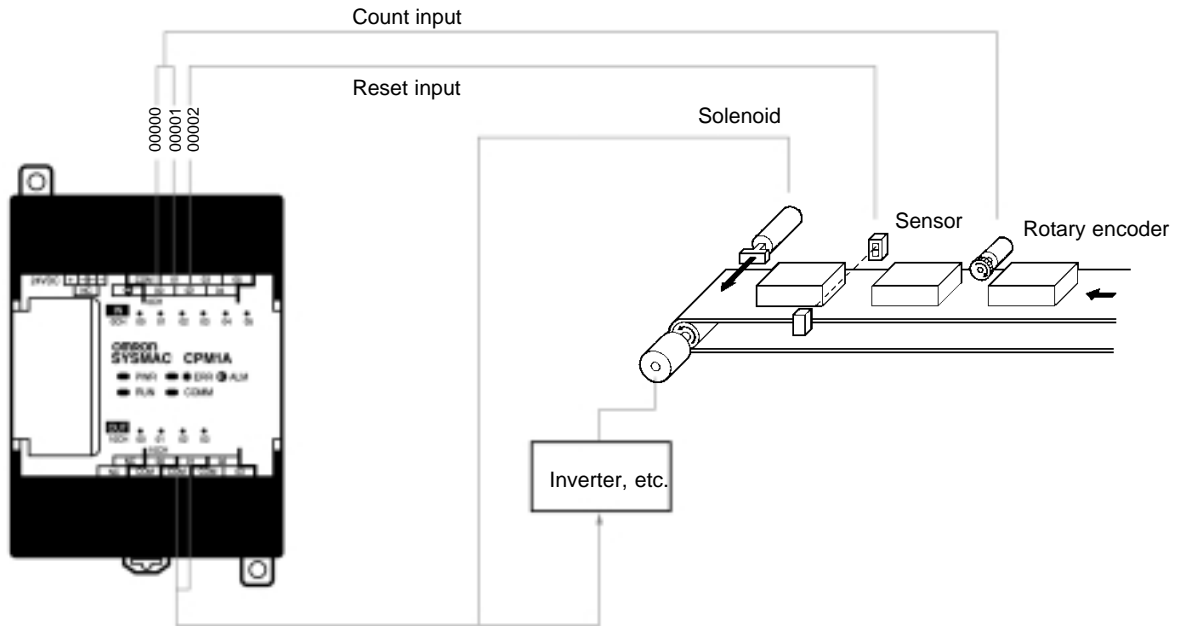


■ HIGH-SPEED COUNTER

The CPM1A has a high-speed counter function that can be used in the incrementing and up/down mode. Using this function together with the input interrupts enables zone comparison control or target value control irrelevant of the cycle time.

Counting mode	Incrementing mode	Up/Down mode	
Input no.	00000	Count input	A-phase input
	00001	—	B-phase input
	00002	Reset input	Z-phase input
Input method	Single-phase input	Phase-difference, 4× inputs	
Count frequency	5.0 kHz	2.5 kHz	
Count range	0 to 65535	-32767 to 32767	

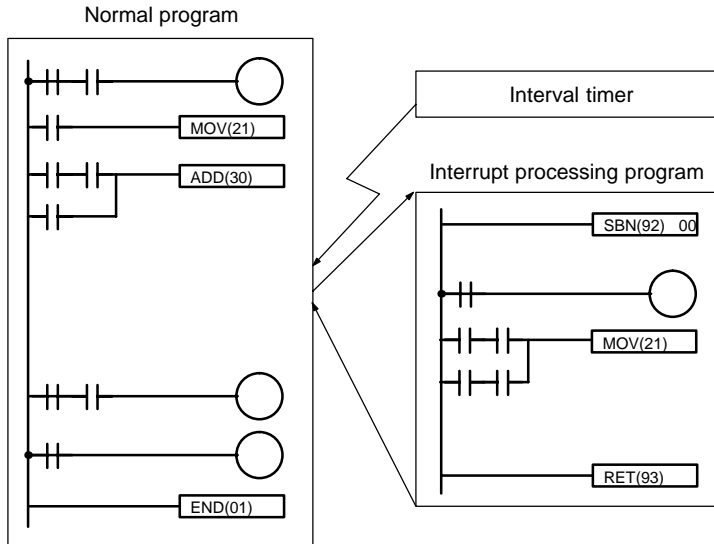
Note: When using in the incrementing mode, the input 00001 can be used as an input contact.



■ INTERVAL TIMER INTERRUPTS

The CPM1A has one interval timer. The interval timer shuts down the regular program regardless of the point in the cycle once the time is up, and immediately executes an interrupt processing program. Interval timers are used in the following two modes.

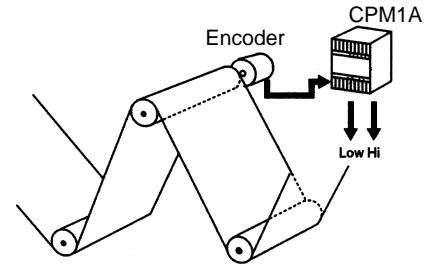
Item	One-shot mode	Scheduled interrupt mode
Operation	An interrupt is executed only once when the time is up.	Interrupts are executed repeatedly at fixed periods.
Setting time	0.5 ms to 319,968 ms (0.1-ms units)	



Application Example:

Computing the Sheet Speed

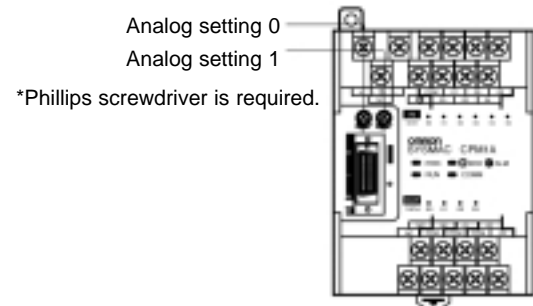
The number of pulse inputs is computed in the interrupt mode at a fixed time to calculate the speed.



■ ANALOG SETTING

The CPM1A contains two analog setting controls that can be used for a broad range of analog timer and counter settings. Turning the setting control stores values of 0 to 200 (BCD data) in the SR area.

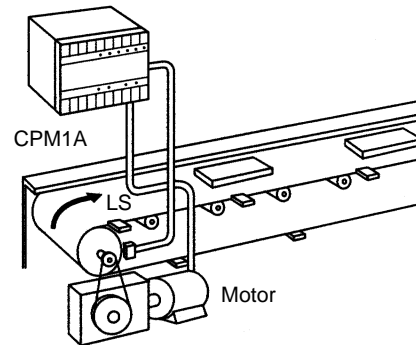
Analog setting	Storage area	Setting value (BCD)
Analog setting 0	SR 250	0000 to 0200
Analog setting 1	SR 251	



Application Example:

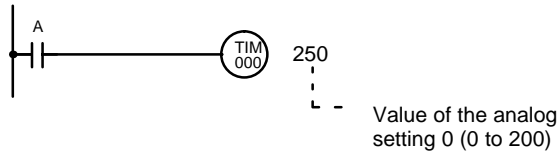
Tact Operation Control of Conveyor Lines

A conveyor can be stopped temporarily as required for assembly processes. When the timer function and limit switches are used in a combination, conveyors can be stopped for a fixed time or can be run at a constant speed for a fixed distance. Fine adjustment of the stopping time can be easily done by using the analog setting controls.

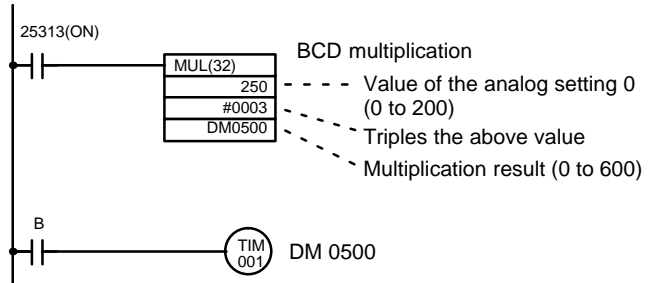


Program Example

1. Analog timer for 0.0 to 20.0 seconds



2. Analog timer for 0.0 to 60.0 seconds



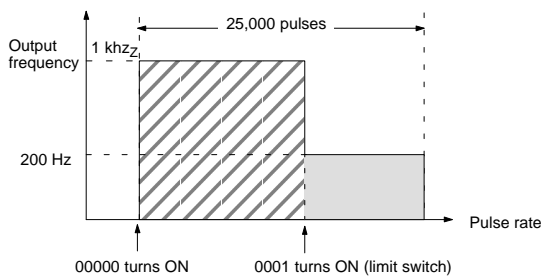
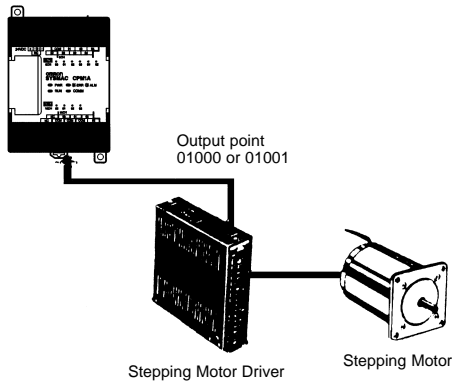
PULSE OUTPUT FUNCTION

The CPM1A transistor output models have an output function capable of outputting a pulse of 20 Hz to 2 kHz (single-phase output).

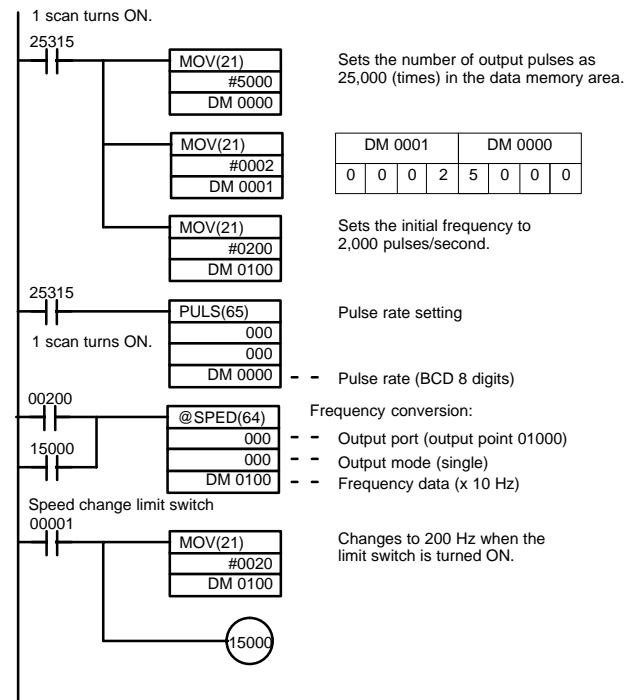
When used in combination with a Stepping Driver or Servodriver, positioning can be easily performed.

Application Example

Changing the speed of the Stepping Motor.



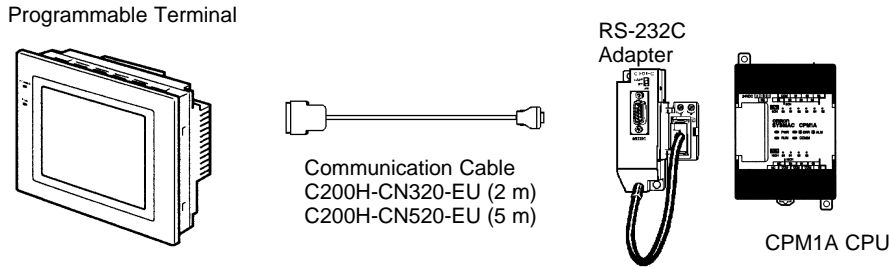
Program Example



Communications

■ NT LINK FOR PROGRAMMABLE TERMINALS

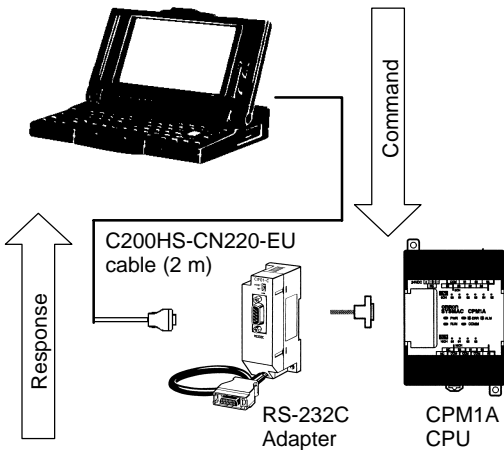
Use Omron's high-speed NT Link for real-time communications between the CPM1A and a Programmable Terminal.



■ HOST LINK COMMUNICATIONS

CPM1A Host Link communications consist of interactive procedures whereby the CPM1A returns a response to a command sent from the IBM PC/AT or compatible computer. These communications allow the IBM PC/AT or compatible computer to read and write in the CPM1A's I/O Areas and Data Memory Areas as well as in areas containing the status of various settings.

1:1 Host Link Communications



1:N Host Link Communications

