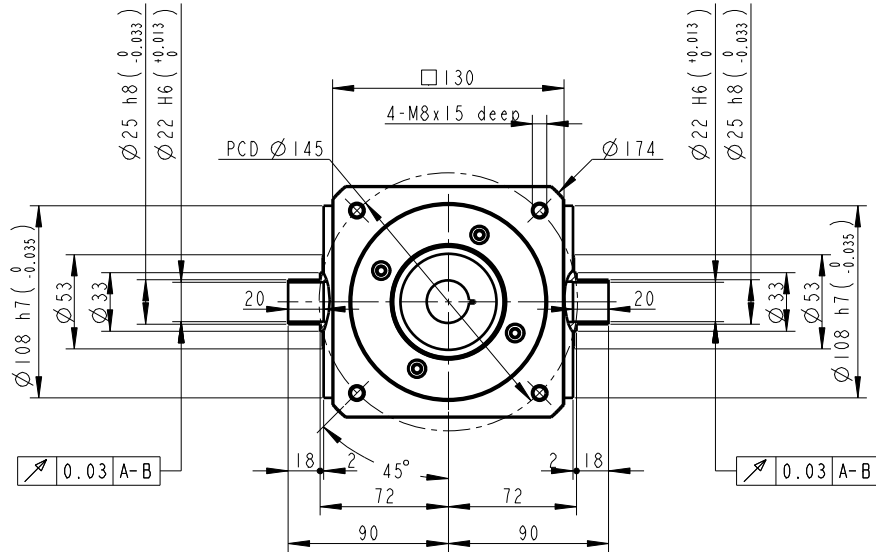
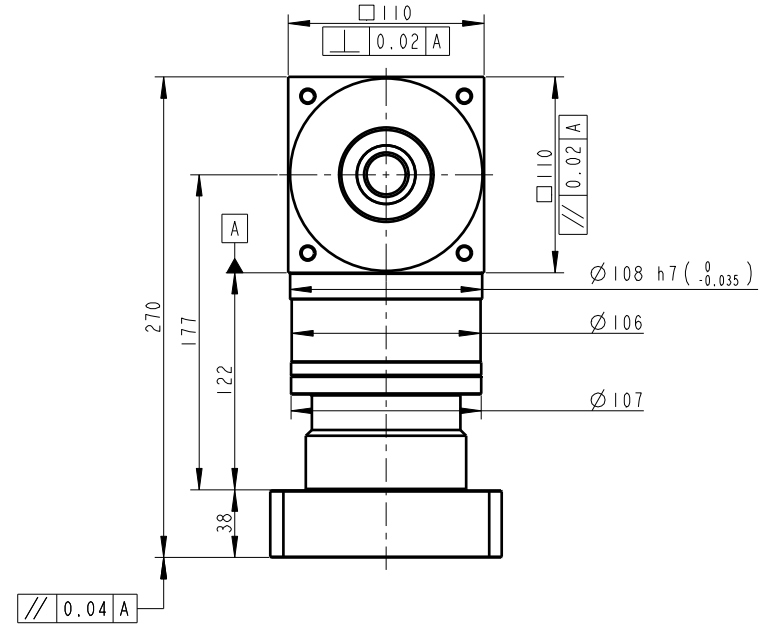
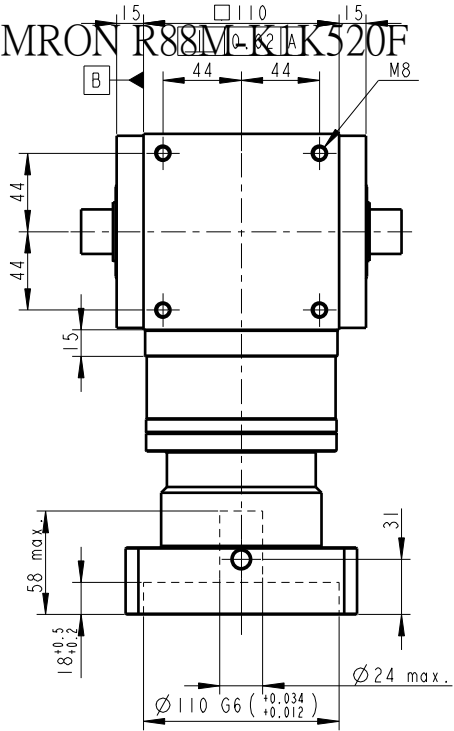
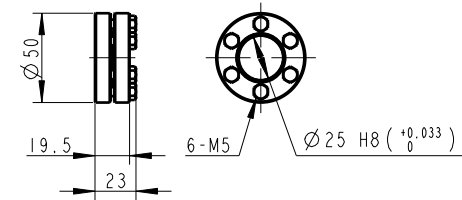




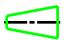
AT110FC - 010 / OMRON R88M-K1A520F



Shrink Disc(Optional)



INERTIA: 3.26 ~ 3.28 kg-cm²
 MASS: 14.1 kg
 BACKLASH <= 6 arcmin

PART NO. AT110FC2-P0405301001 AT110FC-2,AD-PE90-MI30-1		 APEX DYNAMICS, INC.		
APPROVALS	DATE	TITLE AT110FC 2 STAGE , RATIO= 7-50 AND MOTOR FLANGE MOUNTING		
DRAWN Poppy	08-Jan-09	DWG NO. AT110FC2-P0405301001		
CHECKED				
APPROVED		  SIZE A0	SCALE 1:1	REV 1