

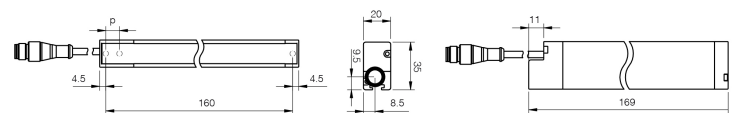
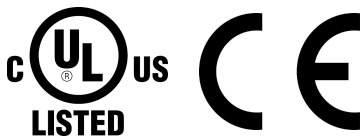


AREA SENSORS WITH HIGH RESOLUTION AND COMPACT HOUSING WITH DIGITAL AND ANALOGUE OUTPUT

- Parallel beams and floating crossbeams with variable amplitude
- Synchronization by cable. Pitch 5, 10 and 20mm
- Control height up 480mm (pitch 5mm) and up 960mm (pitch 10mm and 20mm)
- Maximum operating distance up to 3m (for 5mm pitch) and 6m (for 10mm and 20 pitch)
- Digital outputs NPN and PNP ; analogue current output (4...20mA) and analogue voltage output (0..10V), mix outputs : digital PNP and analogue voltage output (0..10V)
- Adjustment by teach-in , 2 levels of adjustment
- Blanking function . Available analogue versions

TOP BEAM

Indicative image



H (barrier height) = h (controlled height) + 9 mm

Detection properties

Nominal sensing distance	0,3 ... 6m
Beams space	10mm
controlled height	160mm
minimum detectable object	Ø 5mm
number of rays	17
Sensitivity adjustment	Teach-in by wire

Application

Function Principle	emitter/receiver
--------------------	------------------

Outputs

Output type	NPN + PNP
Output Function	NO/NC

Switching frequency	59,5Hz
Electrical data	
Operating Voltage	16,8... 30Vdc
No-Load supply current	≤330mA
Load current	< 100mA
Leakage current	≤ 10μA
Output voltage drop	< 1,5V @ 100mA
Max ripple content	< 1,2Vpp
LED indicators	Blue, red and yellow (emitter) - green, red and yellow (receiver)
Time delay before availability	< 3s
Short-circuit protection	Yes
Reverse Polarity Protection	Yes
Emission	Infrared (880nm)
Interference to external light	IEC EN 60947-5-2
Impulsive Overvoltage Protection	Yes

Mechanical data

Dimensions	20mm x 169mm x 35mm
Weight	450g
Housing Material	Aluminium
Connections	M12 4pin + cable PVC 200mm ; M12 8pin + cable PVC 200mm
Active Head Material	PMMA
Operating temperature	-10°C...+ 55° C (without freeze)
Storage temperature	- 25°C...+ 60° C (without freeze)

Test/Approvals

Approvals	CE, cULus
EMC compatibility	IEC 60947-5-2
Shocks and vibrations	IEC EN 60947-5-2
Degree of protection	IP67

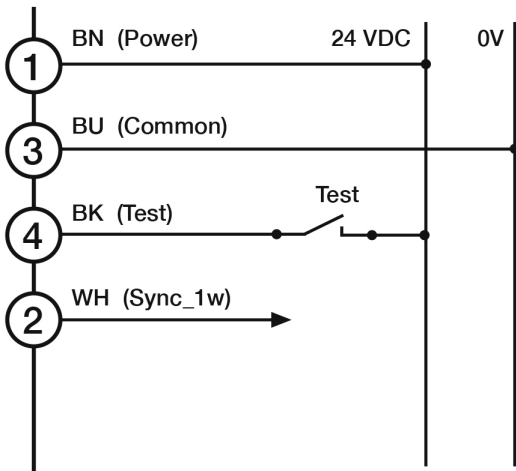
Accessories

Supplied Accessories	ST151 fixing kit
----------------------	------------------

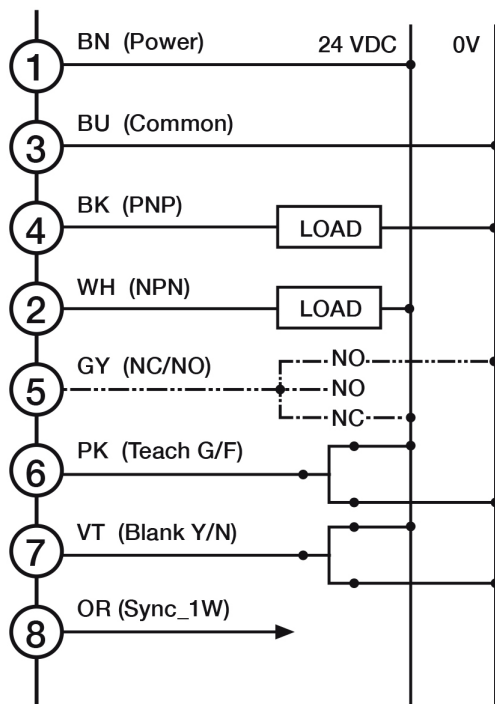
Generical Data

Dimensions	169x36x20
Operating Temperature	-10°C...+ 55° C (without freeze)
Mechanical Protection	IP67

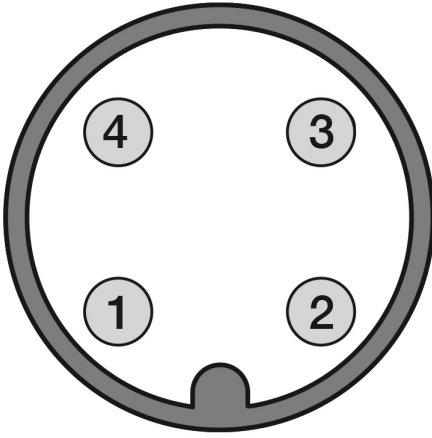
CX2E0



CX2RB



G	coarse calibration	F	fine calibration
BK	black	BU	blue
BN	brown	GY	gray
RD	red	WH	white
PK	pink	VT	violet
OR	orange		



Datasensing S.r.l.

Strada S.Caterina, 235

41122 Modena (MO)

Tel. 059 420411

Fax 059 253973

E-mail info@datasensing.com

date of printing

08/08/2023 16:26:07