

DISCRETE I/O MODULES

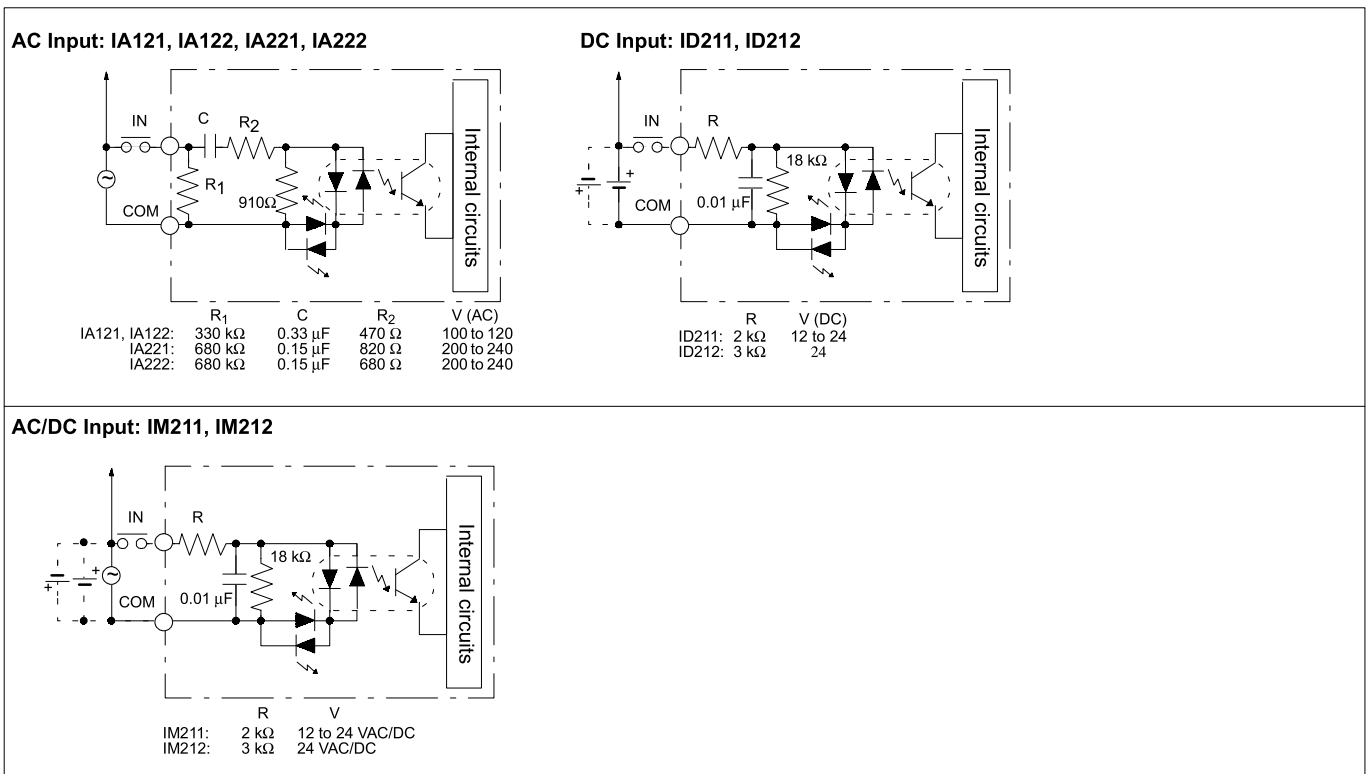
INPUT MODULE SPECIFICATIONS

Input Module Specifications

TYPE	NO. OF INPUTS	INPUTS PER COMMON	INPUT VOLTAGE	INPUT CURRENT	OPERATING VOLTAGE		INPUT RESPONSE TIME		MODULE-STYLE	PART NUMBER
					ON	OFF	ON	OFF		
AC Input	8 pts.	8 pts.	100 to 120 VAC +10%/-15%	10 mA, 100 VAC	60 VAC min.	20 VAC max.	35 ms max.	55 ms max.	A	C200H-IA121
	16 pts.	16 pts.							B	C200H-IA122
	8 pts.	8 pts.	200 to 240 VAC +10%/-15%	10 mA, 200 VAC	120 VAC min.	40 VAC max.			A	C200H-IA221
	16 pts.	16 pts.							B	C200H-IA222
DC Input	8 pts.	8 pts.	12 to 24 VDC +10%/-15%	10 mA, 24 VDC	10.2 VDC min.	3.0 VDC max.	1.5 ms max.	1.5 ms max.	A	C200H-ID211
	16 pts.	16 pts.	24 VDC +10%/-15%	7 mA, 24 VDC	14.4 VDC min.	5.0 VDC max.			B	C200H-ID212
AC/DC Input	8 pts.	8 pts.	12 to 24 VAC/DC +10%/-15%	10 mA, 24 VDC	10.2 VDC min.	3.0 VDC max.	15 ms max.	15 ms max.	A	C200H-IM211
	16 pts.	16 pts.	24 VAC/DC +10%/-15%	7 mA, 24 VAC/ DC	14.4 VDC min.	5.0 VDC max.			B	C200H-IM212

- Note:**
1. All models feature photocoupler isolation and LED indicator.
 2. Each Discrete I/O Module has a removable terminal block. See the above *STYLE* column for a reference to the module style/connector type and refer to the accompanying drawing and chart for specific connector details.

Input Module Circuit Configuration



DISCRETE I/O MODULES

OUTPUT MODULE SPECIFICATIONS

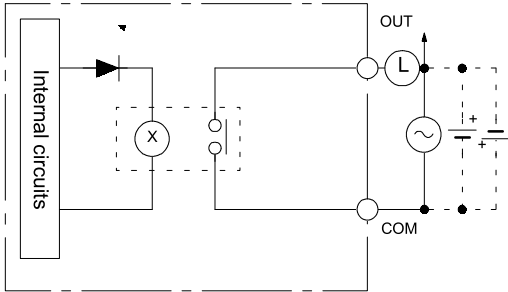
Output Module Specifications

No. of outputs	Rated load voltage	Max. load current	Min. switching capacity	Output response times		Leakage current	Outputs/per common	Fuse	External power supply	Internal power consumption (VDC)	Part number	
				ON	OFF							
Relay Output											Relay Output	
8 pts.	250 VAC ($\cos \phi = 1$) / 250 VAC ($\cos \phi = 0.4$) / 24 VDC max.	2 A/pt. 8 A/8 pts.	10 mA, 5 VDC	10 ms max.	10 ms max.	---	8 pts.	---	---	10 mA max.	C200H-OC221	
12 pts.		2 A/pt. 8 A/12 pts.					12 pts.				C200H-OC222 (see note)	
16 pts.		2 A/pt. 8 A/16 pts.					16 pts.				C200H-OC225 (see note)	
5 pts.		2 A/pt. 10 A/5 pts.					1 pt.				C200H-OC223	
8 pts.		2 A pts. 16 A/8 pts.									C200H-OC224	
Triac Output											Triac Output	
8 pts.	120 VAC	1 A/pt. 4 A/8 pts.	Resistive load: 10 mA; inductive load: 40 mA (10 VAC)	1 ms max.	1/2 of load fre- quen- cy max.	3 mA max., 100 VAC; 6 mA max., 200 VAC	8 pts.	5 A		140 mA max.	C200H-OA121-E	
12 pts.	250 VAC, 50/60 Hz	0.3 A/pt. 2 A/12 pts.		1/2 of load fre- quen- cy max.			12 pts.			3 A	200 mA max.	C200H-OA222V
8 pts.		1.2 A/pt. 4 A/8 pts.	Resistive load: 100 mA; inductive load: 50 mA (10 VAC)	1 ms max.	8 pts.	5 A	180 mA max.	C200H-OA223				
12 pts.		0.5 A/pt. 2 A/12 pts.		1/2 + 1 ms of load fre- quen- cy max.	1.5 mA max., 120 VAC; 3 mA max., 240 VAC	12 pts.	3.15 A	270 mA max.	C200H-OA224			
Transistor Output											Transistor Output	
8 pts.	12 to 48 VDC +10%/-15%	1 A/pt. 3 A/8 pts.	Residual voltage: 1.4 V max.	0.2 ms max.	0.3 ms max.	0.1 mA max.	8 pts.	5 A	30 mA, 12 to 48 VDC min.	140 mA max.	C200H-OD411	
	24 VDC +10%/-15%	2.1 A/pt. 5.2 A/8 pts.		1 ms max.	1 ms max.						1 mA max.	8 A
		0.8 A/pt. 2.4 A/8 pts.	10 mA, 5 VDC			1.5 ms max.						2 ms max.
	5 to 24 VDC	0.3 A/pt.		5 to 24 VDC	10 mA max.						C200H-OD216	
12 pts.	24 VDC +10%/-15%	0.3 A/pt. 2A/12 pts.	Residual voltage: 1.4 V max.	0.2 ms max.	0.3 ms max.		12 pts.	5 A	25 mA, 24 VDC min.	160 mA max.	C200H-OD211	
16 pts.		0.3 A/pt. 4.8 A/12 pts.					16 pts.				8 A	35 mA, 24 VDC min.
12 pts.	5 to 24 VDC	0.3 A/pt.	10 mA, 5 VDC	1.5 ms max.	2 ms max.		12 pts.	None	5 to 24 VDC	10 mA max.	C200H-OD217	
16 pts.	24 VDC +10%/-15%	1 A/pt. 4 A/16 pts.	Residual voltage: 0.8 V max.	0.1 ms max.	0.3 ms max.		16 pts.		35 mA, 24 VDC min.	160 mA max.	C200H-OD21A	

Note: Do not exceed the load current of 8 A per common. No more than 8 outputs can be turned ON simultaneously.

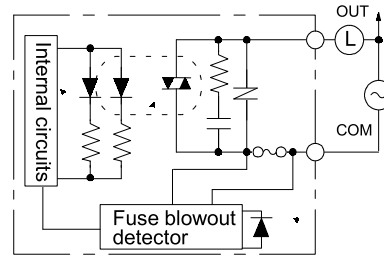
Output Module Circuit Configuration

Relay Output:
OC221, OC222, OC223, OC224, OC225



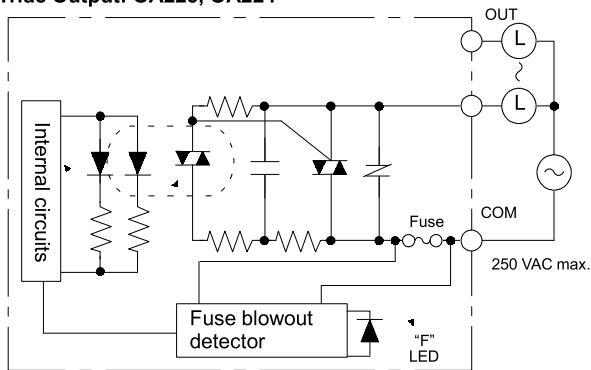
Use either + or - VDC

Triac Output: OA222V, OA121-E



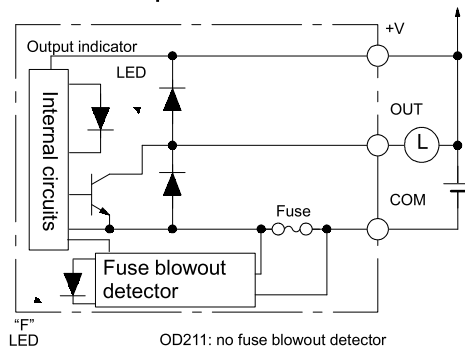
OA222V: no fuse blowout detector

Triac Output: OA223, OA224



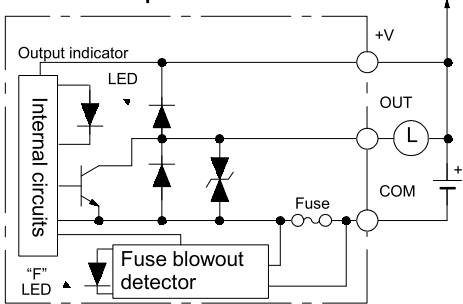
OA224: no fuse blowout detector

Transistor Output: OD411/OD211



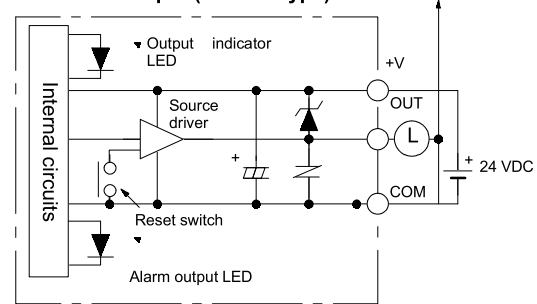
OD211: no fuse blowout detector

Transistor Output: OD213/OD212

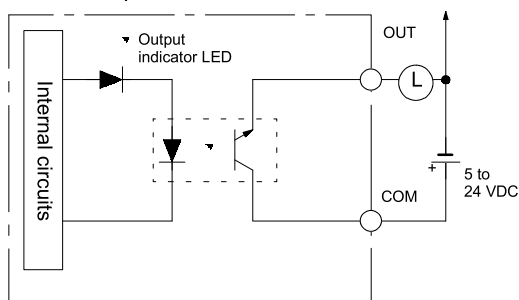


OD212: No fuse blowout detector

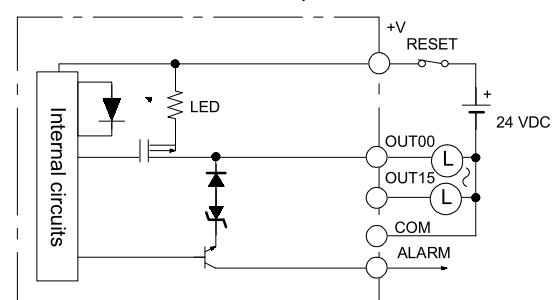
Transistor Output (Source Type): OD214



Transistor Output (Protective Circuit for Load Short-circuit): OD216/OD217



Transistor Output (Source Type with Protective Circuit for Load Short-circuit): OD21A



Note: Fuse blowout detection circuit: The F indicator is lit and the 08 bit turns ON. The 08 to 15 bits cannot be used as ordinary IR bits.